

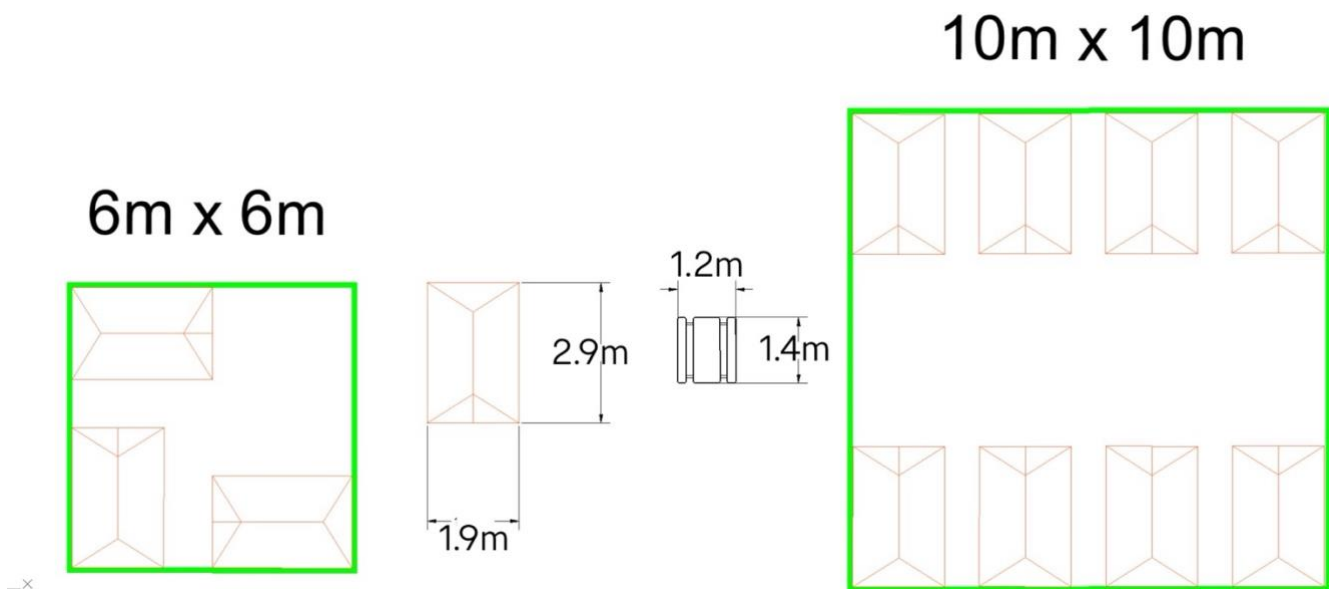
Groups Camping Pitch Upgrade – More Information

Festival tickets and tents are not included in Group Camping and must be purchased separately. Price is per pitch, not per person. Unless otherwise stated, Group Camping will be located in standard campsites, with standard camping facilities. The exact location will be confirmed closer to the event.

Each person staying in the pitch must have either a 3- or 5-Night Camping Festival Ticket. Anyone with a 3-Night Camping Ticket will only be able to access your Groups Camping Pitch from Friday – Monday.

The Group camping upgrade does not include tents, you need to bring the tents that you plan to camp in.

The example showing the number of tents that can fit in each pitch is for guidance only. Our pitch size guides are based on 2 person tents measuring 290cm x 190cm each. This is for illustrative purposes only, please do your own calculations for your tent sizes, space preferences and optional add-ons.



Please ensure you know the exact dimensions of each of the tents your group wishes to bring so that you can ensure they all fit into the pitch you have booked, along with any additional add-ons like a picnic bench.

There is no limit on the number of people you can invite to join you in your pitch, but everyone must stay within the pitch dimensions, which will be marked out on the grass.

There will not be any additional space available to increase the size of your pitch on arrival and any tents that do not fit within the allocated space will be required to move to outside of the Groups Camping area.

If you would like to have a pitch next to your friend's pitch, please email Download@VIPNation.co.uk. Please note that only pitches of the same size can be allocated beside each other. The deadline to apply for this is 1st May 2025.

Groups Camping pitches are an optional upgrade to secure your pitch for the duration of the festival, this does not affect General Campsite camping. This optional service is designed to make it easier for customers that want to camp together but can't arrive together. If you choose not to purchase this upgrade, you can camp in our standard campsites as normal, wherever you can find space.

Important Information:

- Festival Tickets and tents are not included in the Groups Camping Pitch upgrade price, 3- or 5-Night Camping Tickets must be purchased separately.
- Groups Camping will be open from 12pm Wednesday 11th June to 11am Monday 16th June 2025.
- Groups Camping will be located in Red Campsite in General Camping.
- Purchasing a Groups Camping Pitch Upgrade does not gain you access to any premium campsites, guest area or additional benefits aside from the pitch itself. As the pitches are located in General campsites, there are no additional toilet or shower facilities included.
- By purchasing a Groups Camping Pitch Upgrade, you are securing your pitch for the duration of the festival so you don't all have to arrive at once.
- If any of the tents in your pitch go over the boundary, you will be asked to move the tent. Any tents that don't fit within the designated pitch size will be required to move outside of the Groups Camping Pitch zone without a refund.
- Parking is not included in this package.
- Under 16s must be accompanied by an adult 18+, No under 5s. Every person in your party must have a valid festival ticket, including children.
- If you have accessibility requirements please contact us at Download@vipnation.co.uk
- Live Nation reserves the right to eject those disturbing the peace without readmission or refund.
- Please note any images used are representative and final supplied products may vary.
- For Download terms and conditions, [please see here](#)
- For VIP Nation terms & conditions, [please see here](#)